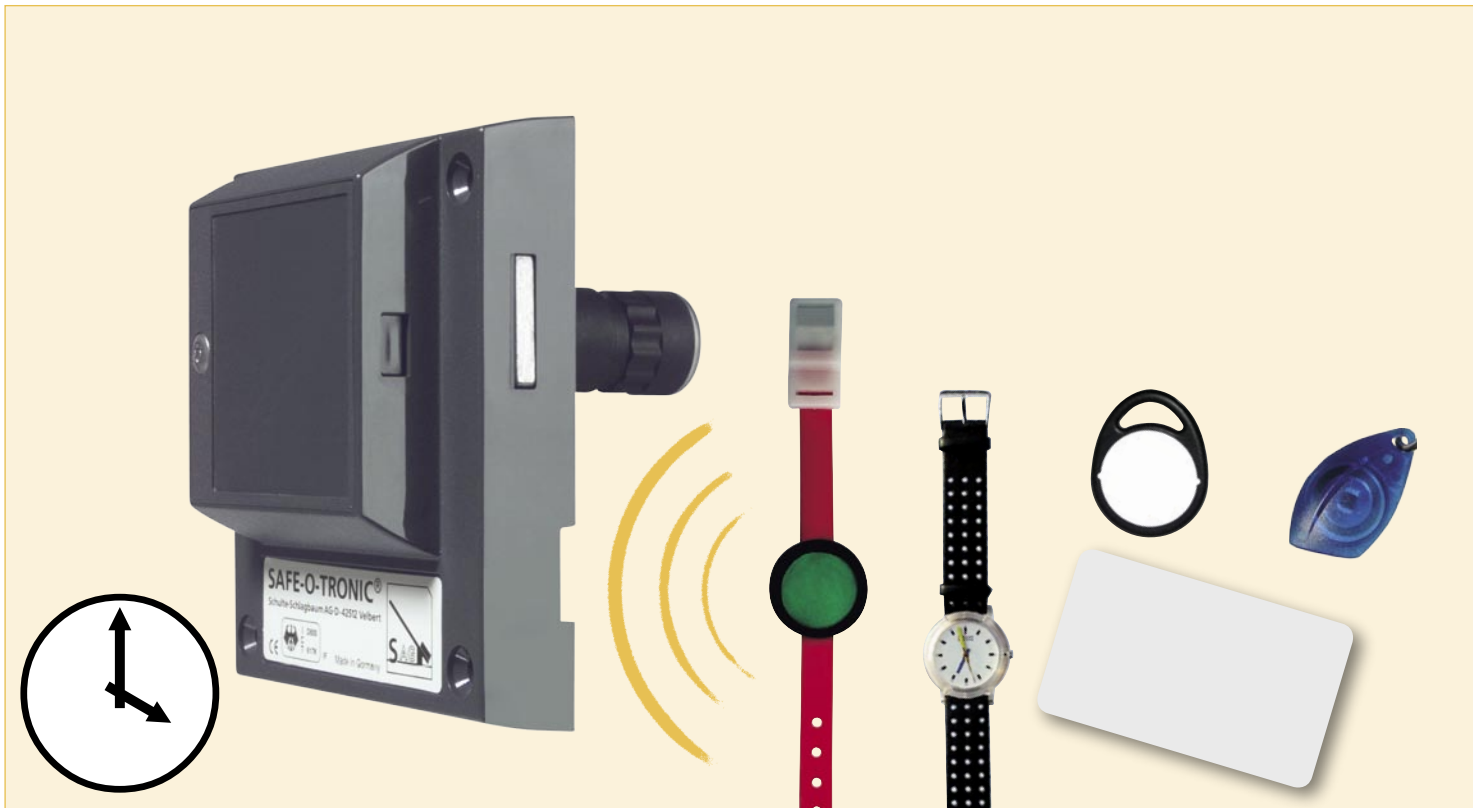


Patented electronic transponder locking system for lockers and compartments for articles of value



Touch less comfort for efficient locker organisation

SAFE-O-TRONIC® is the perfect solution if the „key“ is also used for entrance control or to pay all services.

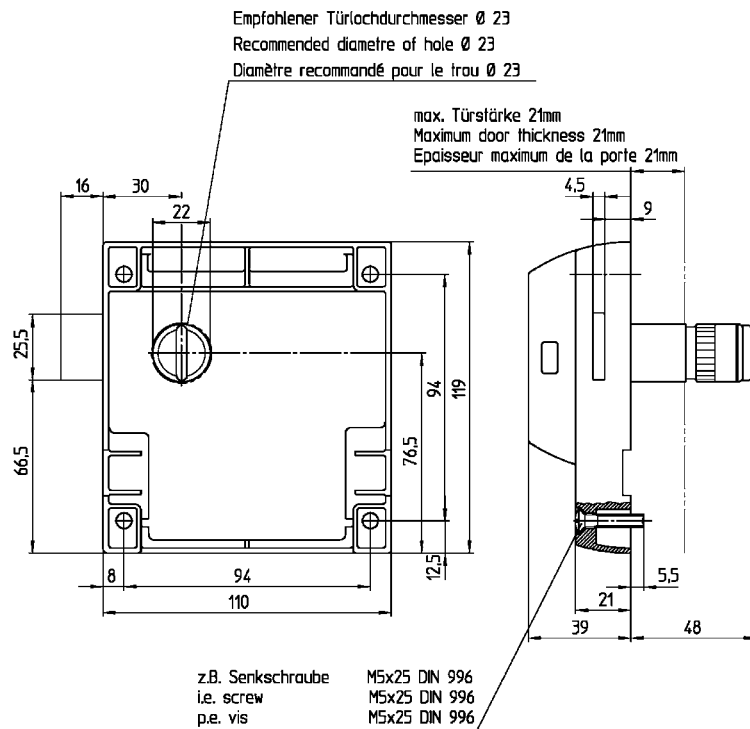
The comfortable solution for locking systems for lockers and in the leisure and fitness area

- **Efficient organisation**
through intelligent data media.
- **High security**
against manipulation.
- **Free of wear and abrasion**
by use of touch free data media.
- **Wireless**
for maximum reliability.
- **High compatibility**
through integration in other data systems.
- **With integrated clock**
as protection against unauthorised lock reservation.
- **Lots of different applications**
e.g. leisure and fitness clubs, hotels and youth hostels, schools, industrial areas (staff lockers).

Patented electronic transponder locking system for lockers and compartments for articles of value

Sketch

Same dimensions of the lock housing to the SAFE-O-MAT® coin and collect lock.



- Right handed version = above drawing
Left handed version = reflected
- Fixing screw e.g. flat head screw
M5x25 DIN 996
- Installation instructions on request

- **Multifunctionality as a principle of organisation**
The SAFE-O-TRONIC® transponder locking system is the ideal solution for complex installations, i.e. in combination with access control or time recording.

- **Easy handling**
The locker can be opened or locked by use of the transponder.
Just press smoothly - and the door opens!

- **Easy and flexible programming**
In case of key losses the operator can programme new transponders and the security of the installation is restored very fast.

- **Free integrable**
As a component of the SAG transponder family SAFE-O-TRONIC® can be integrated into VARIfree organisation inside the building as well as Front-Office- and Fitness-Management-Systems.

- **Fast help for „forgetfully persons“**
In case, the locker user forgot his locker number, the info terminal will show him his locker number.

- **Improvement of locker efficiency**
To prevent unauthorised locker reservations, i.e. in fitness clubs, a time limit can be programmed into the lock. In industrial installations with shift workers, a locker can be used by several persons a day. Therefore the quantity of lockers can be reduced.

- **Key identity card and credit card in one**
The transponder (card, watch, fob or wristband with chip) can be used as access permission or can be used for cashless payments within the area. The use will be recorded by readers. The transponder is secured against copying and is wear free. In addition transponders can be made sole and water proof.